

# TECNA<sup>®</sup>

It also contains the series of balancers:  
**ATEX<sup>Ex</sup>**  
Ex II 2GD c II T 85°C (T6)



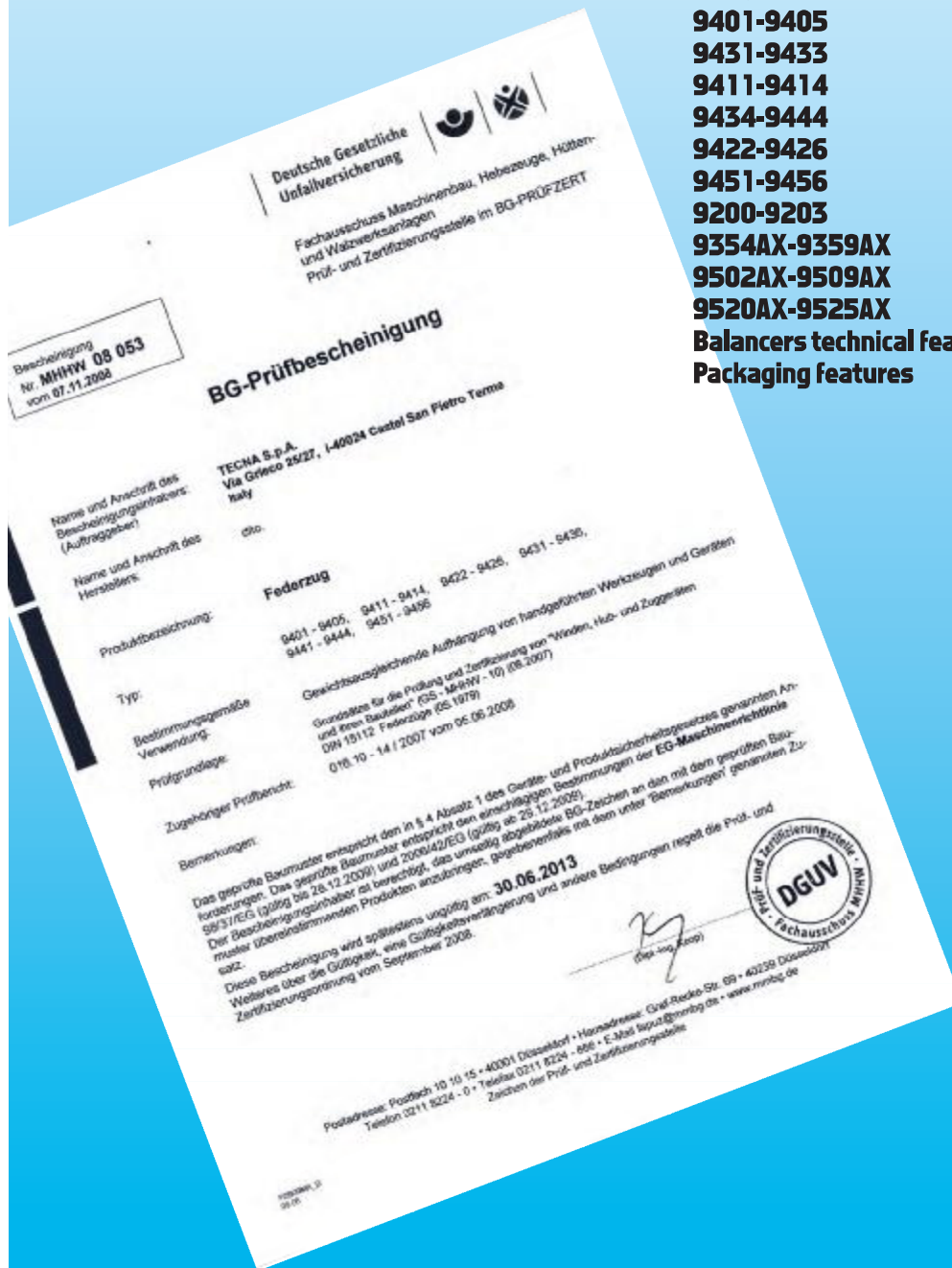
CAPACITY 0,2 ÷ 180 kg



**GENERAL CATALOGUE**  
**Balancers**

## Index

<b>Introduction</b>	<b>p. 3</b>
<b>9300-9303</b>	<b>p. 4</b>
<b>9311-9313</b>	<b>p. 4</b>
<b>9300NY-9303NY</b>	<b>p. 5</b>
<b>9311NY-9313NY</b>	<b>p. 5</b>
<b>9320-9323</b>	<b>p. 6</b>
<b>9336-9340</b>	<b>p. 6</b>
<b>9346-9350</b>	<b>p. 7</b>
<b>9336NY-9340NY</b>	<b>p. 7</b>
<b>9346NY-9350NY</b>	<b>p. 8</b>
<b>9354-9359</b>	<b>p. 8</b>
<b>9361-9369</b>	<b>p. 9</b>
<b>9370-9371</b>	<b>p. 9</b>
<b>9401-9405</b>	<b>p. 10</b>
<b>9431-9433</b>	<b>p. 10</b>
<b>9411-9414</b>	<b>p. 11</b>
<b>9434-9444</b>	<b>p. 11</b>
<b>9422-9426</b>	<b>p. 12</b>
<b>9451-9456</b>	<b>p. 12</b>
<b>9200-9203</b>	<b>p. 13</b>
<b>9354AX-9359AX</b>	<b>p. 14</b>
<b>9502AX-9509AX</b>	<b>p. 15</b>
<b>9520AX-9525AX</b>	<b>p. 16</b>
<b>Balancers technical features</b>	<b>p. 17</b>
<b>Packaging features</b>	<b>p. 18</b>



Example of BG certificate released to the TECNA S.p.A. balancers

# BALANCERS

**TECNA S.p.A.** produces and distributes a complete range of **BALANCERS** having a capacity **from 0,2 up to 180 kg** and an available wire stroke up to 3 meters.

The **TECNA BALANCER** is an essential device to eliminate the operator's labour, to increase productivity by cutting down idle times and to improve the work quality. Furthermore, the use of the **TECNA BALANCER** reduces hoses and cables wear and avoid eventual damages to both people and tools.

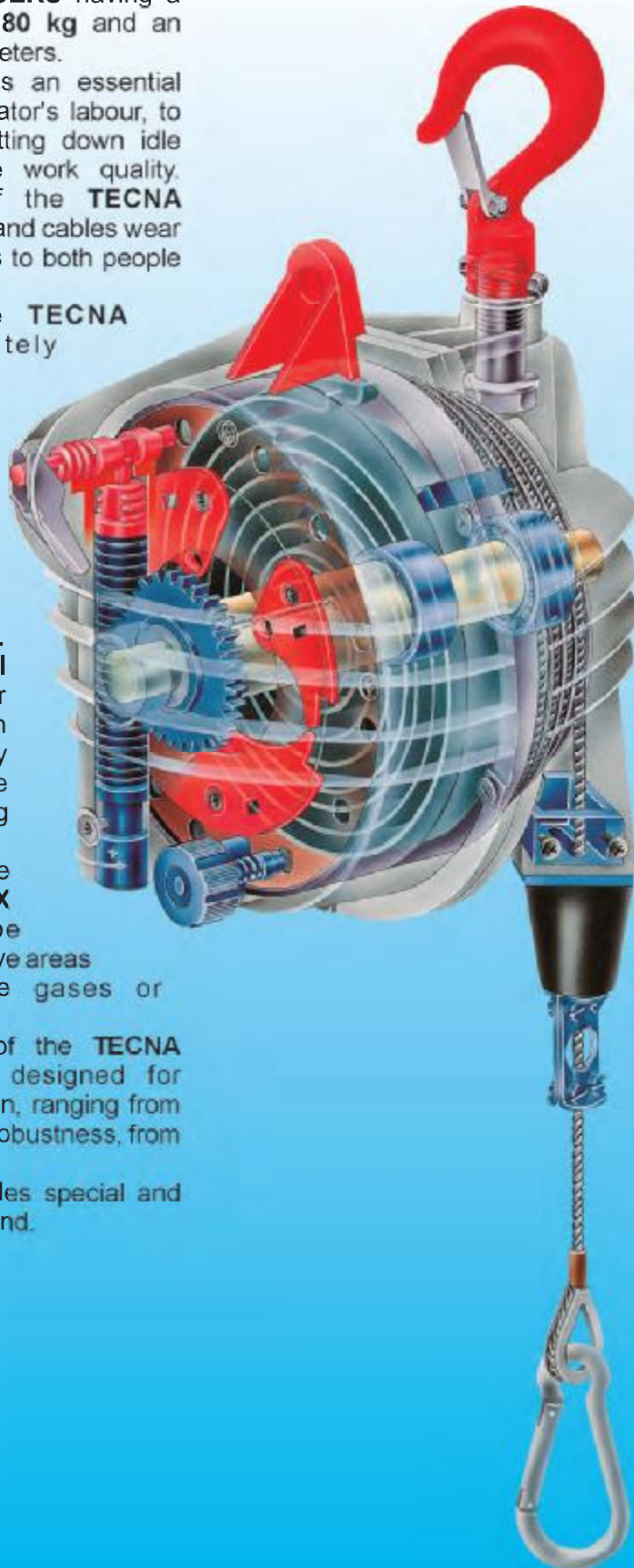
The application of the **TECNA BALANCER** is absolutely versatile: it may be used for bench or assembly line works and it may be suitably applied to small tools, industrial suspended welders and multiple screw drivers.

The **TECNA** balancers are produced in conformity with the DIN 15112 Directive. Thanks to their high structural technology and their compliance with the laws in force, they are BG certified by the relevant German Institute for their safe use in the working environment.

**TECNA** produces a new range of **BALANCERS**, **ATEX certified**, suitable to be installed in potentially explosive areas composed by flammable gases or combustible dusts.

The ergonomic structure of the **TECNA BALANCERS** has been designed for facilitating each use operation, ranging from movement easiness to body robustness, from simple use to lifting power.

**TECNA**, as producer, provides special and customised versions on demand.

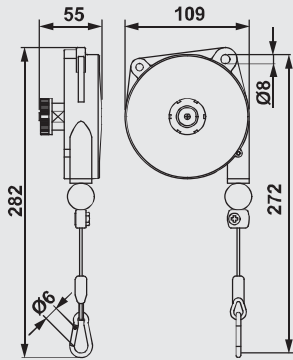




# 9300 ÷ 9303



**1**  
1600 mm  
0.2÷3 kg

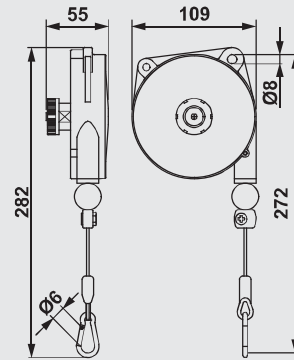


	9300	9301	9302	9303
Capacity	0,2÷0,5	0,4÷1	1÷2	2÷3
Weight	0,5	0,5	0,6	0,7
Stroke	1600 mm			
Cable	Inox			
Body	Nylon			

# 9311 ÷ 9313

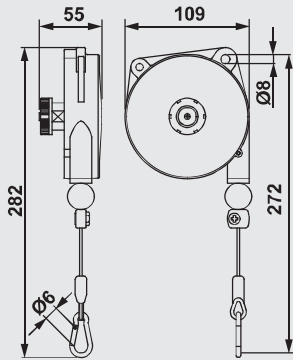


**2**  
1600 mm  
0.4÷3 kg



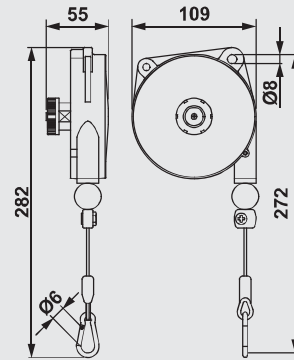
	9311	9312	9313
Capacity	0,4÷1	1÷2	2÷3
Weight	0,6	0,6	0,7
Stroke	1600 mm		
Cable	Inox		
Body	Aluminium		

# 9300NY ÷ 9303NY



	9300NY	9301NY	9302NY	9303NY
Capacity	0,2÷0,5	0,4÷1	1÷2	2÷3
Weight	0,5	0,5	0,6	0,7
Stroke	1600 mm			
Cable	Polypropylene			
Body	Nylon			

# 9311NY ÷ 9313NY

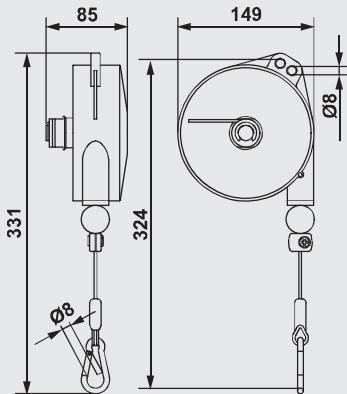


	9311NY	9312NY	9313NY
Capacity	0,4÷1	1÷2	2÷3
Weight	0,6	0,6	0,7
Stroke	1600 mm		
Cable	Polypropylene		
Body	Aluminium		

# 9320 ÷ 9323



**5**  
2000 mm  
**1÷8**  
Kg

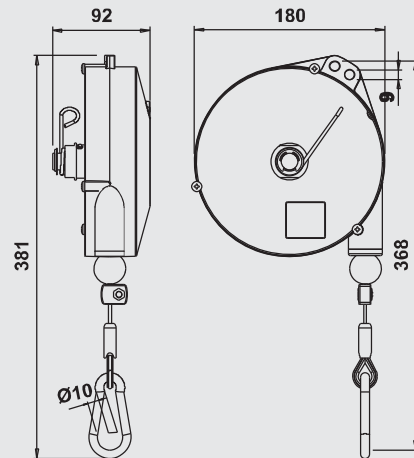


	9320	9321	9322	9323
Capacity	1÷2,5	2÷4	4÷6	6÷8
Weight	2	2	2,3	2,5
Stroke	2000 mm			
Cable	Inox			
Body	Aluminium			

# 9336 ÷ 9340



**6**  
2500 mm  
**2÷14**  
kg

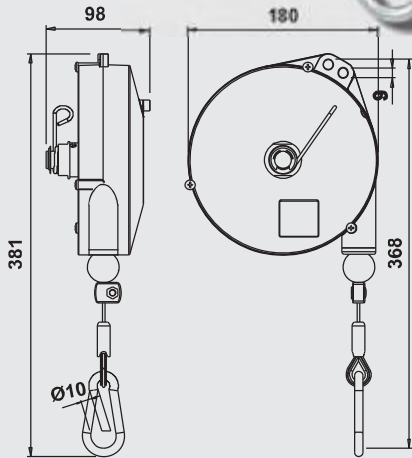


	9336	9337	9338	9339	9340
Capacity	2÷4	4÷6	6÷8	8÷10	10÷14
Weight	2,9	3,2	3,5	3,7	4
Stroke	2500 mm				
Cable	Inox				
Body	Aluminium				

# 9346 ÷ 9350

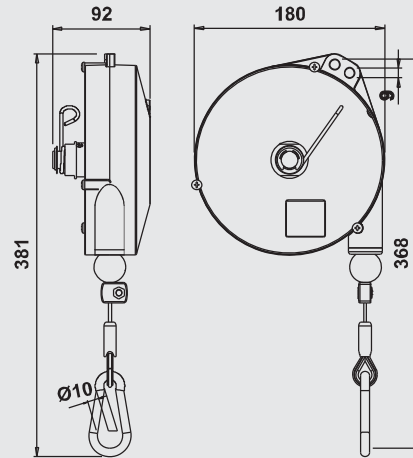


In addition to the features of the former range, the new balancers are equipped with a new device enabling to stop the stroke by carrying out a simple operation on the load.



	9346	9347	9348	9349	9350
Capacity	2÷4	4÷6	6÷8	8÷10	10÷14
Weight	3	3,3	3,6	3,8	4
Stroke	2500 mm				
Cable	Inox				
Body	Aluminium				

# 9336NY ÷ 9340NY



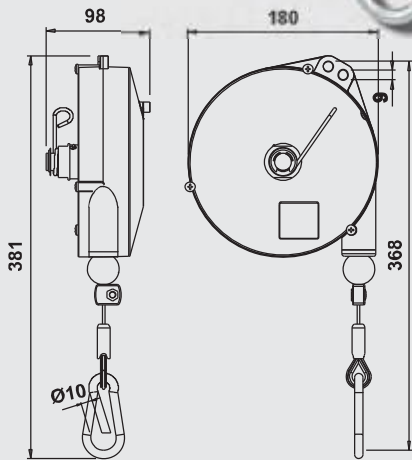
	9336NY	9337NY	9338NY	9339NY	9340NY
Capacity	2÷4	4÷6	6÷8	8÷10	10÷14
Weight	2,9	3,2	3,5	3,7	4
Stroke	2500 mm				
Cable	Dyneema®				
Body	Aluminium				

# 9346NY ÷ 9350NY



**9**  
2500 mm  
2÷14 kg

In addition to the features of the former range, the new balancers are equipped with a new device enabling to stop the stroke by carrying out a simple operation on the load.



	9346NY	9347NY	9348NY	9349NY	9350NY
Capacity	2÷4	4÷6	6÷8	8÷10	10÷14
Weight	3	3,3	3,6	3,8	4
Stroke	2500 mm				
Cable	Dyneema®				
Body	Aluminium				

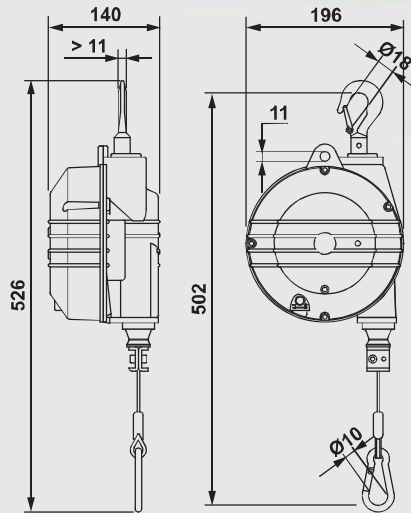
# 9354 ÷ 9359



**10**  
2000 mm  
4÷25 kg

### Option F Brake device

The balancer is equipped with a friction/brake which controls the rotation speed of the drum. This option is feasible when placing a new order while it is not possible to assemble this device on balancers already installed.



	9354	9355	9356	9357	9358	9359
Capacity	4÷7	7÷10	10÷14	14÷18	18÷22	22÷25
Weight	5	5,5	5,5	6,5	6	6,6
Stroke	2000 mm					
Cable	Inox					
Body	Aluminium					



# 9361 ÷ 9369

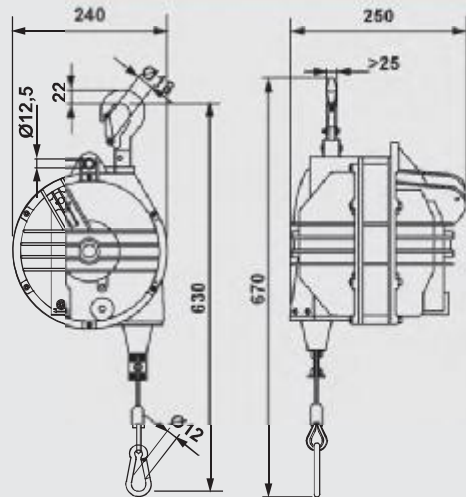
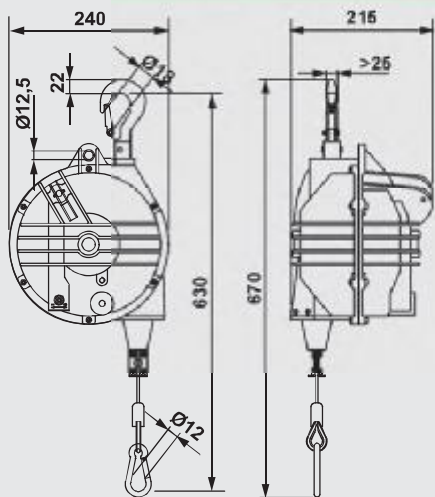


**11**  
2000 mm  
10-75 kg

# 9370 ÷ 9371



**12**  
2000 mm  
75-105 kg



	9361	9362	9363	9364	9365	9366	9367	9368	9369	9370	9371
Capacity	10÷15	15÷20	20÷25	25÷30	30÷35	35÷45	45÷55	55÷65	65÷75	75÷90	90÷105
Weight	10,3	10,6	11,2	11,5	11,8	12,4	12,5	13,6	14,5	17,3	18
Stroke	2000 mm									2000 mm	
Cable	Inox									Inox	
Body	Aluminium									Aluminium	

9401 ÷ 9405  
9431 ÷ 9433

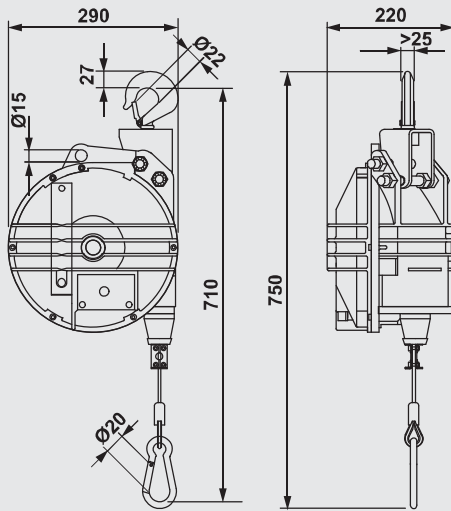


**13**  
2500 mm  
3000 mm  
15÷60  
kg



**OPTION B**  
Locking-unlocking device  
with control from the floor.

**OPTION RI**  
Rotary and insulating device.



OPTION B

OPTION RI

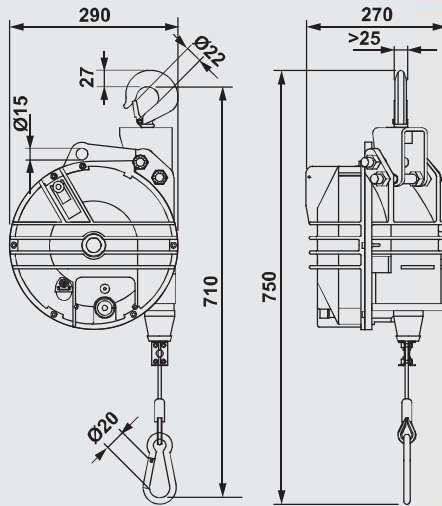


	9401	9402	9403	9404	9405	9431	9432	9433
Capacity	15÷20	20÷30	30÷40	40÷50	50÷60	15÷20	20÷25	25÷35
Weight	19	19,8	20,8	23,9	25,4	19,1	19,9	20,9
Stroke	2500 mm					3000 mm		
Cable	Inox							
Body	Aluminium							

9411 ÷ 9414  
9434 ÷ 9444



**14**  
2500 mm  
3000 mm  
60÷100  
kg

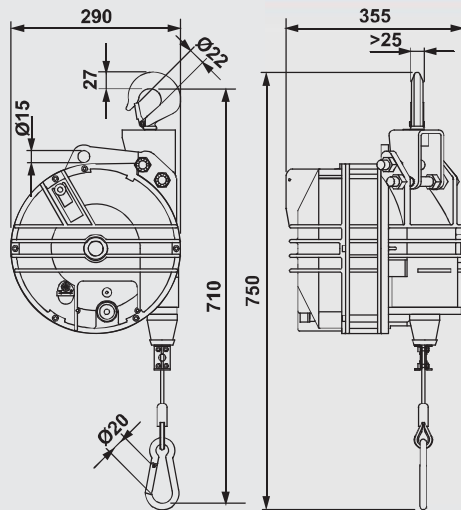
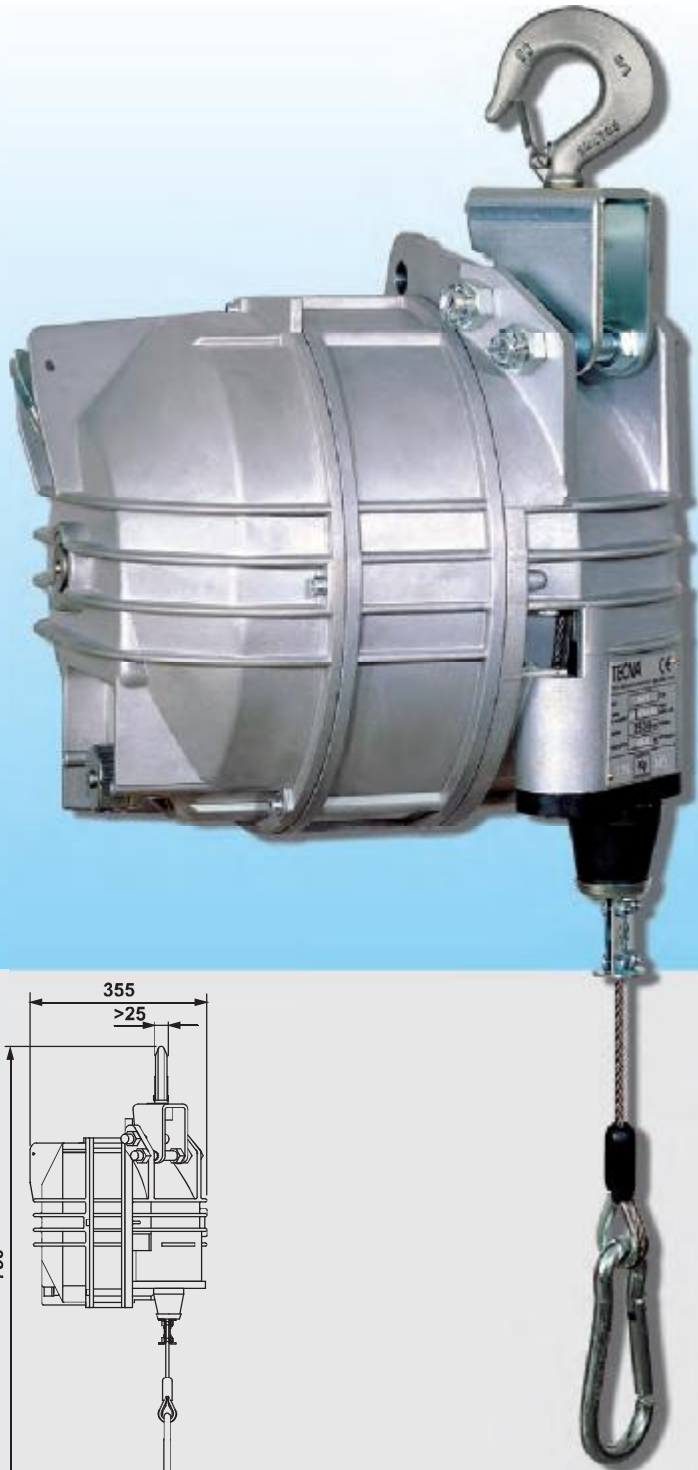


	9411	9412	9413	9414	9434	9435	9436	9441	9442	9443	9444
Capacity	60÷70	70÷80	80÷90	90÷100	35÷45	40÷50	50÷60	60÷70	70÷80	80÷90	80÷100
Weight	26,8	27,8	28,8	30	23,8	23,9	25,3	27	28	29	29
Stroke	2500 mm				3000 mm						
Cable	Inox										
Body	Aluminium										

9422 ÷ 9426  
9451 ÷ 9456



**15**  
2500 mm  
3000 mm  
100÷180  
kg



	9422	9423	9424	9425	9426	9451	9452	9453	9454	9455	9456
Capacity	100÷120	120÷140	130÷150	140÷160	160÷180	100÷115	115÷130	130÷140	140÷150	150÷160	160÷180
Weight	38,7	41,87	44,5	48	49	39,7	39,9	42,8	45,6	49	50
Stroke	2500 mm					3000 mm					
Cable	Inox										
Body	Aluminium										



# 9200 ÷ 9203

## BALANCERS FOR PNEUMATICS

Used for arranging ergonomic work stations.  
Applications: Screw drivers - Drills - Shearing machines - Tools for electronics - Air guns.

### ADVANTAGES

- Maximum ease of use.
- Minimum overall dimensions as the tool is supported by the hose.
- Polyurethane hose.
- Rugged construction, cast aluminium body.
- Adjustable capacity.
- Springs properly sized to ensure long life and smooth running.
- Adjustable stroke limiting device.
- Auxiliary safety suspension.

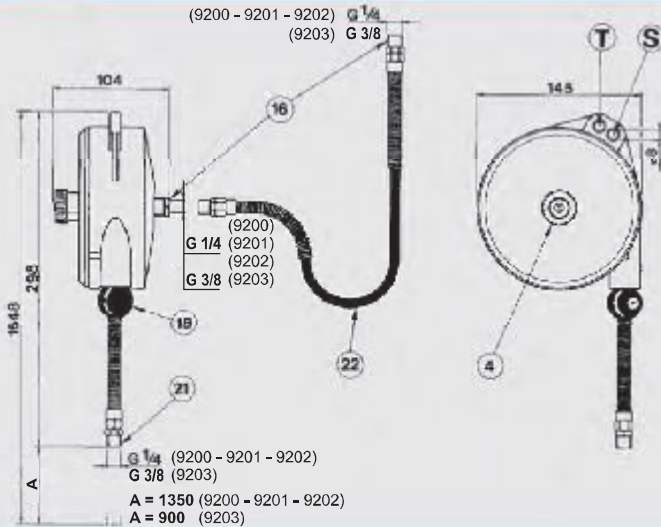


Only for item 9200 - 9201 - 9202



Max operating pressure:  
**8 bar**

Max operating temperature:  
**50°**



- T - Suspension.
- S - Safety.
- 4 - Capacity adjustment.
- 16- Air input 1/4 gas.
- 18- Stroke limiting clamp.
- 21- Air output 1/4 gas.
- 22- Flexible supply hose.

	9200	9201	9202	9203
Capacity	0,4÷0,8	0,75÷1,5	1,2÷2,5	3÷5
Weight	1,35	1,35	1,35	1,35
Stroke	1350 mm			900 mm
Cable	Polyurethane			
Body	Aluminium			

# 9354AX÷9359AX

# ATEX

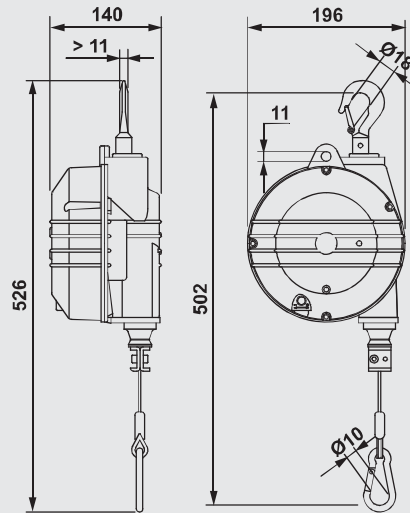
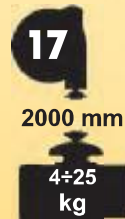
## Ex II 2GD c II T 85°C (T6)

TECNA S.p.A. produces a new range of **BALANCERS** suitable to be installed in potentially explosive areas composed by flammable gases or combustible dusts.

Atex features for Tecna balancers are:

**Ex II 2GD c II T 85°C (T6)**

- Ex:** ATEX;
- II:** Group II;
- 2:** Category 2 (probable presence of potentially explosive atmosphere);
- GD:** Potentially explosive atmosphere for gas and dust;
- c:** "c" type protection for non-electrical equipments;
- II:** For all gases;
- T 85°C:** Superficial max. temperature of normal working and malfunction in Celsius degrees for dusts;
- (T6):** Superficial temperature class relevant to a max. of 85°C for gas.



	9354AX	9355AX	9356AX	9357AX	9358AX	9359AX
Capacity	4÷7	7÷10	10÷14	14÷18	18÷22	22÷25
Weight	4,94	5,3	5,67	6,26	5,89	6,53
Stroke	2000					
Cable	Inox					
Body	Aluminium					

# 9502AX÷9509AX

# ATEX

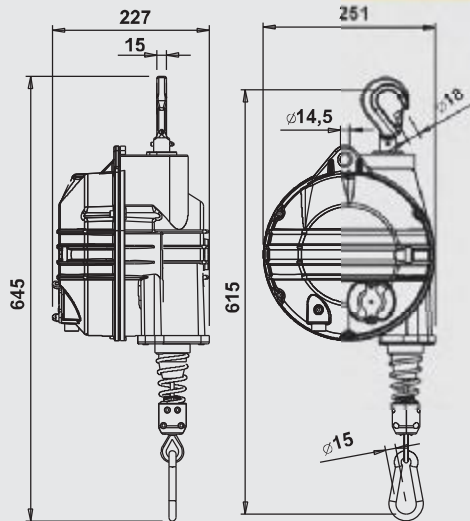
## Ex II 2GD c II T 85°C (T6)

TECNA S.p.A. produces a new range of **BALANCERS** suitable to be installed in potentially explosive areas composed by flammable gases or combustible dusts.

Atex features for Tecna balancers are:

**Ex II 2GD c II T 85°C (T6)**

- Ex:** ATEX;
- II:** Group II;
- 2:** Category 2 (probable presence of potentially explosive atmosphere);
- GD:** Potentially explosive atmosphere for gas and dust;
- c:** "c" type protection for non-electrical equipments;
- II:** For all gases;
- T 85°C:** Superficial max. temperature of normal working and malfunction in Celsius degrees for dusts;
- (T6):** Superficial temperature class relevant to a max. of 85°C for gas.



	9502AX	9503AX	9504AX	9505AX	9506AX	9507AX	9508AX	9509AX
Capacity	20÷30	30÷40	40÷50	50÷60	60÷70	70÷80	80÷90	90÷100
Weight	~ 15							
Stroke	2100							
Cable	Inox							
Body	Aluminium							

**9520AX÷9525AX**

**ATEX** 

**Ex II 2GD c II T 85°C (T6)**

TECNA S.p.A. produces a new range of **BALANCERS** suitable to be installed in potentially explosive areas composed by flammable gases or combustible dusts.

Atex features for Tecna balancers are:

**Ex II 2GD c II T 85°C (T6)**

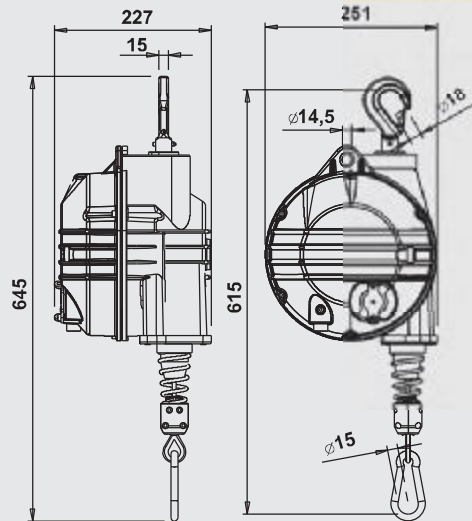
- Ex:** ATEX;
- II:** Group II;
- 2:** Category 2 (probable presence of potentially explosive atmosphere);
- GD:** Potentially explosive atmosphere for gas and dust;
- c:** "c" type protection for non-electrical equipments;
- II:** For all gases;
- T 85°C:** Superficial max. temperature of normal working and malfunction in Celsius degrees for dusts;
- (T6):** Superficial temperature class relevant to a max. of 85°C for gas.



**19**

**2700 mm**


**12÷70 kg**



	<b>9520AX</b>	<b>9521AX</b>	<b>9522AX</b>	<b>9523AX</b>	<b>9524AX</b>	<b>9525AX</b>
Capacity	12÷20	20÷30	30÷40	40÷50	50÷60	60÷70
Weight	~ 15					
Stroke	2700					
Cable	Inox					
Body	Aluminium					



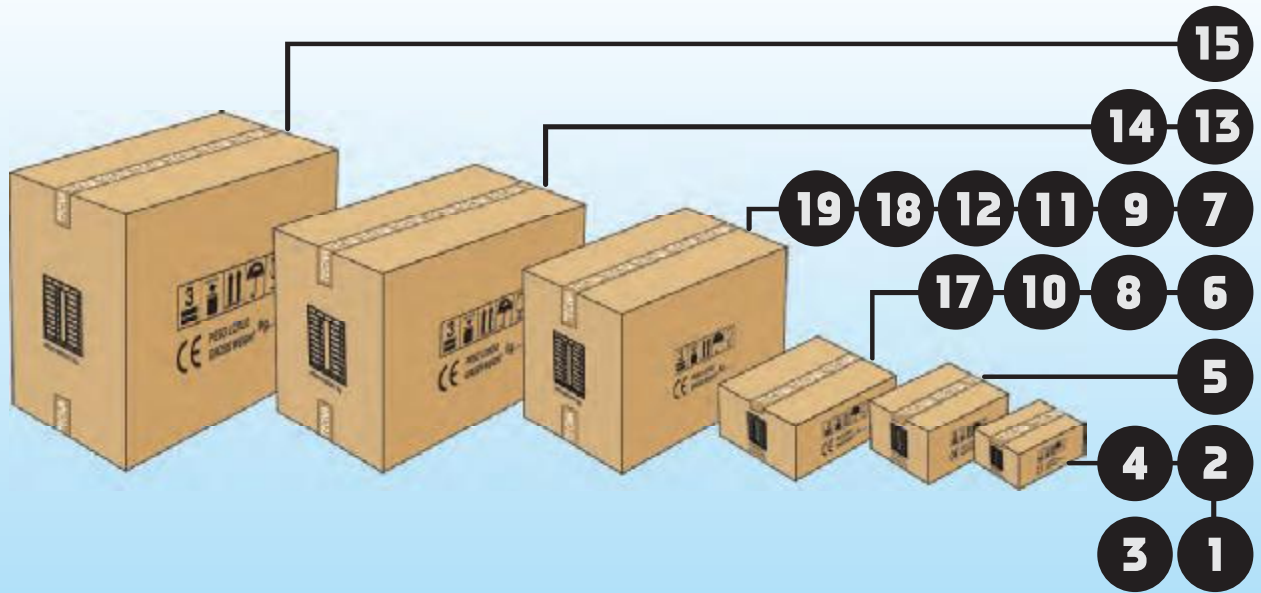
# BALANCERS TECHNICAL FEATURES

	3 1	4 2	5	8 6	9 7	10	12 11	15 14 13	15 14 13	
kg	0,2÷3	0,4÷3	1÷8	2÷14	2÷10	4÷25	10÷105	15÷180	15÷180	Capacity
mm	1600	1600	2000	2500	2500	2000	2000	2500	3000	Stroke
<input checked="" type="checkbox"/>										Rugged construction, Nylon body
	<input checked="" type="checkbox"/>	<input checked="" type="checkbox"/>	<input checked="" type="checkbox"/>	<input checked="" type="checkbox"/>	<input checked="" type="checkbox"/>					Rugged construction, cast aluminium body
						<input checked="" type="checkbox"/>	<input checked="" type="checkbox"/>	<input checked="" type="checkbox"/>	<input checked="" type="checkbox"/>	Ribbed and sealed monobloc construction in aluminium alloy
<input checked="" type="checkbox"/>	<input checked="" type="checkbox"/>			<input checked="" type="checkbox"/>	<input checked="" type="checkbox"/>					Polypropylene / Dyneema rope
<input checked="" type="checkbox"/>	<input checked="" type="checkbox"/>	<input checked="" type="checkbox"/>	<input checked="" type="checkbox"/>	<input checked="" type="checkbox"/>	<input checked="" type="checkbox"/>	<input checked="" type="checkbox"/>	<input checked="" type="checkbox"/>	<input checked="" type="checkbox"/>	<input checked="" type="checkbox"/>	Stainless steel rope
<input checked="" type="checkbox"/>	<input checked="" type="checkbox"/>	<input checked="" type="checkbox"/>	<input checked="" type="checkbox"/>	<input checked="" type="checkbox"/>	<input checked="" type="checkbox"/>					Adjustable capacity
						<input checked="" type="checkbox"/>	<input checked="" type="checkbox"/>	<input checked="" type="checkbox"/>	<input checked="" type="checkbox"/>	Adjustable capacity by means of a worm screw
<input checked="" type="checkbox"/>	<input checked="" type="checkbox"/>	<input checked="" type="checkbox"/>	<input checked="" type="checkbox"/>	<input checked="" type="checkbox"/>	<input checked="" type="checkbox"/>	<input checked="" type="checkbox"/>	<input checked="" type="checkbox"/>	<input checked="" type="checkbox"/>	<input checked="" type="checkbox"/>	Auxiliary safety suspension
			<input checked="" type="checkbox"/>	<input checked="" type="checkbox"/>	<input checked="" type="checkbox"/>	<input checked="" type="checkbox"/>	<input checked="" type="checkbox"/>	<input checked="" type="checkbox"/>	<input checked="" type="checkbox"/>	Safety device against load dropping due to the spring breakage (>3kg)
							<input checked="" type="checkbox"/>	<input checked="" type="checkbox"/>	<input checked="" type="checkbox"/>	Centrifugal safety device
						<input checked="" type="checkbox"/>	<input checked="" type="checkbox"/>	<input checked="" type="checkbox"/>	<input checked="" type="checkbox"/>	Upper rotary suspension with safety hook
						<input checked="" type="checkbox"/>	<input checked="" type="checkbox"/>	<input checked="" type="checkbox"/>	<input checked="" type="checkbox"/>	Locking device to block the load at any height
<input checked="" type="checkbox"/>	<input checked="" type="checkbox"/>	<input checked="" type="checkbox"/>	<input checked="" type="checkbox"/>	<input checked="" type="checkbox"/>	<input checked="" type="checkbox"/>	<input checked="" type="checkbox"/>	<input checked="" type="checkbox"/>	<input checked="" type="checkbox"/>	<input checked="" type="checkbox"/>	Adjustable stroke limiting device
						<input checked="" type="checkbox"/>	<input checked="" type="checkbox"/>	<input checked="" type="checkbox"/>	<input checked="" type="checkbox"/>	Taper drum rotating on ball bearings
<input checked="" type="checkbox"/>	<input checked="" type="checkbox"/>	<input checked="" type="checkbox"/>	<input checked="" type="checkbox"/>	<input checked="" type="checkbox"/>	<input checked="" type="checkbox"/>	<input checked="" type="checkbox"/>	<input checked="" type="checkbox"/>	<input checked="" type="checkbox"/>	<input checked="" type="checkbox"/>	Cable guide in antifriction material
						<input checked="" type="checkbox"/>	<input checked="" type="checkbox"/>	<input checked="" type="checkbox"/>	<input checked="" type="checkbox"/>	Rotary upper hook with ball bearing
								<input checked="" type="checkbox"/>	<input checked="" type="checkbox"/>	Lining up upper hook
								<input checked="" type="checkbox"/>	<input checked="" type="checkbox"/>	Visible cable for inspection
<input checked="" type="checkbox"/>	<input checked="" type="checkbox"/>	<input checked="" type="checkbox"/>	<input checked="" type="checkbox"/>	<input checked="" type="checkbox"/>	<input checked="" type="checkbox"/>	<input checked="" type="checkbox"/>	<input checked="" type="checkbox"/>	<input checked="" type="checkbox"/>	<input checked="" type="checkbox"/>	Inert spring drum assembly
<input checked="" type="checkbox"/>	<input checked="" type="checkbox"/>	<input checked="" type="checkbox"/>	<input checked="" type="checkbox"/>	<input checked="" type="checkbox"/>	<input checked="" type="checkbox"/>	<input checked="" type="checkbox"/>	<input checked="" type="checkbox"/>			Polyamides thimble

## ON REQUEST OPTIONS B-RI-F

						<input checked="" type="checkbox"/>	<input checked="" type="checkbox"/>	<input checked="" type="checkbox"/>	<b>B:</b> Locking-unlocking device with control from the floor
						<input checked="" type="checkbox"/>	<input checked="" type="checkbox"/>	<input checked="" type="checkbox"/>	<b>RI:</b> Rotary and insulating device
					<input checked="" type="checkbox"/>				<b>F:</b> Brake device

# PACKAGING FEATURES



	<b>9300</b> <b>9300NY</b>	<b>9301</b> <b>9301NY</b>	<b>9302</b> <b>9302NY</b>	<b>9303</b> <b>9303NY</b>	<b>9311</b> <b>9311NY</b>	<b>9312</b> <b>9312NY</b>	<b>9313</b> <b>9313NY</b>	<b>9320</b>	<b>9321</b>	<b>9322</b>	<b>9323</b>
kg	0,65	0,65	0,65	0,65	0,65	0,65	0,75	2,1	2,1	2,4	2,6
mm	160x120x60	160x120x60	160x120x60	160x120x60	160x120x60	160x120x60	160x120x60	200x155x90	200x155x90	200x155x90	200x155x90
●	1/3	1/3	1/3	1/3	2/4	2/4	2/4	5	5	5	5
	<b>9336</b> <b>9336NY</b>	<b>9337</b> <b>9337NY</b>	<b>9338</b> <b>9338NY</b>	<b>9339</b> <b>9339NY</b>	<b>9340</b> <b>9340NY</b>	<b>9346</b> <b>9346NY</b>	<b>9347</b> <b>9347NY</b>	<b>9348</b> <b>9348NY</b>	<b>9349</b> <b>9349NY</b>	<b>9350</b> <b>9350NY</b>	<b>9354</b> <b>9354AX</b>
kg	3,05	3,35	3,65	3,85	4,15	3,15	3,45	3,75	3,95	4,25	6,5
mm	260x205x95	260x205x95	260x205x95	260x205x95	260x205x95	260x205x95	260x205x95	260x205x95	260x205x95	260x205x95	420x205x165
●	6/8	6/8	6/8	6/8	6/8	7/9	7/9	7/9	7/9	7/9	10/17
	<b>9355</b> <b>9355AX</b>	<b>9356</b> <b>9356AX</b>	<b>9357</b> <b>9357AX</b>	<b>9358</b> <b>9358AX</b>	<b>9359</b> <b>9359AX</b>	<b>9361</b> <b>9502AX</b>	<b>9362</b> <b>9503AX</b>	<b>9363</b> <b>9504AX</b>	<b>9364</b> <b>9505AX</b>	<b>9365</b> <b>9506AX</b>	<b>9366</b> <b>9507AX</b>
kg	7	7	8	7,5	8,1	12,3	12,6	13,2	13,5	13,8	14,4
mm	420x205x165	420x205x165	420x205x165	420x205x165	420x205x165	455x270x280	455x270x280	455x270x280	455x270x280	455x270x280	455x270x280
●	10/17	10/17	10/17	10/17	10/17	11/18	11/18	11/18	11/18	11/18	11/18
	<b>9367</b> <b>9508AX</b>	<b>9368</b> <b>9509AX</b>	<b>9369</b>	<b>9370</b> <b>9520AX+9525AX</b>	<b>9371</b>	<b>9401</b>	<b>9402</b>	<b>9403</b>	<b>9404</b>	<b>9405</b>	<b>9411</b>
kg	14,5	15,6	16,5	19	20	22,2	23	24	27,1	28,6	30
mm	455x270x280	455x270x280	455x270x280	455x270x280	455x270x280	600x320x330	600x320x330	600x320x330	600x320x330	600x320x330	600x320x330
●	11/18	11/18	11	12/19	12/19	13	13	13	13	13	14
	<b>9412</b>	<b>9413</b>	<b>9414</b>	<b>9422</b>	<b>9423</b>	<b>9424</b>	<b>9425</b>	<b>9426</b>	<b>9431</b>	<b>9432</b>	<b>9433</b>
kg	31	32	32	42,5	45,6	48,3	51,8	52,8	22,3	23,1	24,1
mm	600x320x330	600x320x330	600x320x330	600x320x420	600x320x420	600x320x420	600x320x420	600x320x420	600x320x330	600x320x330	600x320x330
●	14	14	14	15	15	15	15	15	13	13	13
	<b>9434</b>	<b>9435</b>	<b>9436</b>	<b>9441</b>	<b>9442</b>	<b>9443</b>	<b>9444</b>	<b>9451</b>	<b>9452</b>	<b>9453</b>	<b>9454</b>
kg	27	27,1	28,5	30,2	31,2	32,2	32,2	43,5	43,7	46,6	49,4
mm	600x320x330	600x320x330	600x320x330	600x320x330	600x320x330	600x320x330	600x320x330	600x320x420	600x320x420	600x320x420	600x320x420
●	14	14	14	14	14	14	14	15	15	15	15
	<b>9455</b>	<b>9456</b>	<b>9200</b>	<b>9201</b>	<b>9202</b>	<b>9203</b>					
kg	52,8	53,8	1,45	1,45	1,45	1,45					
mm	600x320x420	600x320x420	225x160x110	600x320x420	600x320x420	600x320x420					
●	15	15	16	16	16	16					



16

# TECNA®

TECNA has been designing and producing resistance spot welders and balancers for more than 30 years. This wide experience in the industrial field qualifies Tecna as a supplier for important car manufacturers and big multinational groups.

## PRODUCTS

The wide productive range of TECNA's goes from the resistance welding machines for industrial use with single-phase, three-phase inverter, three-phase D.C. and capacitors discharge technologies, to the machines for car body repair shops and passes through the control units, the transformers, the measurement instruments, as far as a very professional range of balancers.

The experience acquired in the industrial field, as a supplier of very important car manufacturers, the broad know-how, a very high vertical organization of the production process and, particularly, an extreme specialization in the field of resistance welding have permitted important innovations and a huge range of products.

## SPOT WELDERS FOR CAR BODY REPAIR



## INDUSTRIAL RESISTANCE WELDERS



## BALANCERS

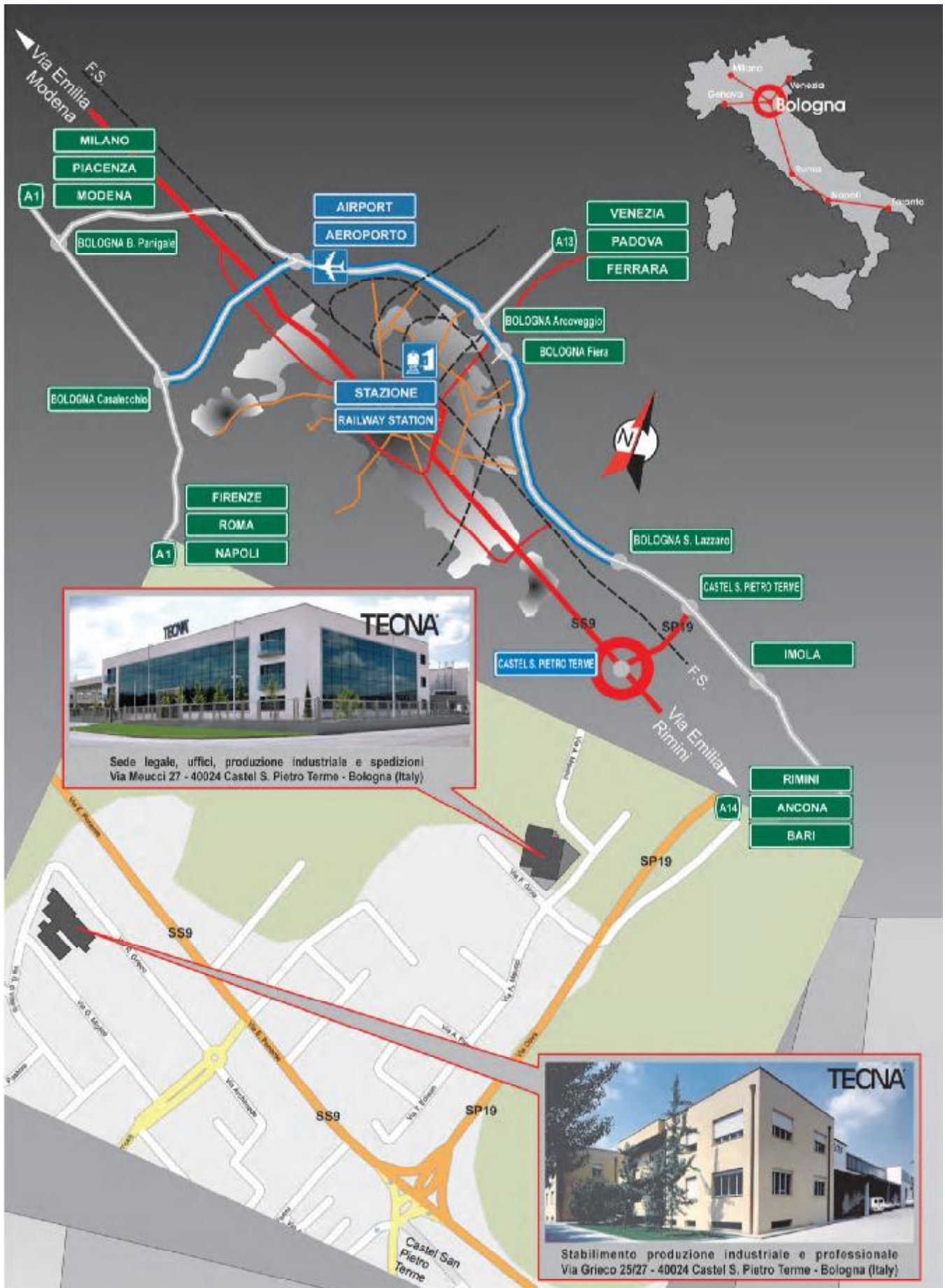


## TECNA IN THE WORLD

A constant company growth obtained by means of a very high level of its products quality and its continuous technological improvement allow TECNA to be present in every continent and to be acknowledged as an important actor in this particular product field.

Basically, a commercial network of distributors and agents covers the market worldwide.





TECNA S.p.A. - Sede: Via Meucci, 27 - 40024 - Castel San Pietro Terme - Bologna - ITALIA  
 Centralino +39.051.6954411 - Pho. +39.051.6954400 - Tel. 051.6954410 - Fax +39.051.6954490  
 www.tecna.net - E-mail: sales@tecna.net - vendite@tecna.net